


PRODUCT SHEET

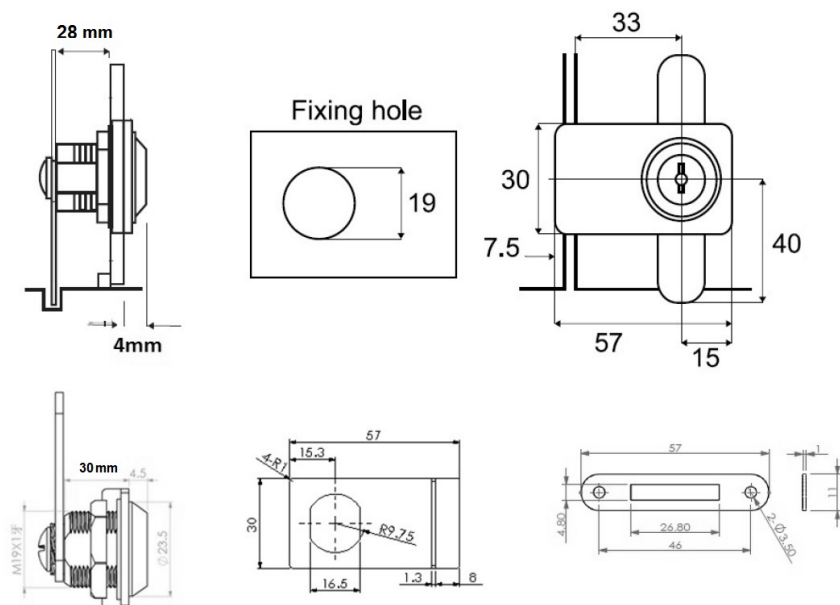
Description:

Glass Door Lock MIC916,CPL,180DG,W/30mm Cylinder, Body Only, F/J#11+J#12, Cam No.C0041.
Incl.All Accessories

Item number:

14.09.067-0

Units	Box	Carton	HS Code	Barcode
Pcs.	12	240	8301300000	
				5704866045889



SISO A/S

Mileparken 11
DK-2740 Skovlunde
Denmark
VAT: DK 24786013

Phone +45 45 830 900

www.siso.dk
siso@siso.dk

Danske Bank
Nytorv Branch
Copenhagen
SWIFT: DABADKKK

Account no.
4180 3112 112936
IBAN Account
DK7230003112112936